

## "LAZUR M-1". TECHNICAL DATA

<b>2.1. Quality indicators of the feed water:</b>	<b>Drinking / Waste water*</b>
2.1.1. Suspended solids, mg/l, no more than	(1)* / 10
2.1.2. UV Transmittance at 254 nm for 10-mm water column, %	(85)* / 60
2.1.3. Colour, degree, no more than	(20)* / 50
2.1.4. Turbidity, NTU, no more than	(1÷2)* / 3
2.1.5. Iron content, mg/l, no more than	0,3
2.1.6. Temperatures of water under treatment and of ambient air, °C	+4 ÷ +30
2.1.7. Total Bacteria Count in 1 litre, no more than	(1000)* / 5...10 <sup>6</sup>
2.1.8. Coliphages, no more than	(100)* / 5...10 <sup>4</sup>
<b>2.2. Quality indicators of the treated water:</b>	
2.2.1. Total Bacteria Count in 100 ml, no more than	(50)* / 100
2.2.2. Coliphages (MS2), in 100 ml, no more than	(absent)* / 100
<b>2.3. Minimal dose of UV irradiation, not less than, mJ/cm<sup>2</sup></b>	<b>40 (65)**</b>
<b>2.4. Nominal flowrate, m<sup>3</sup>/h</b>	<b>1</b>
<b>2.5. Minimal service life of UV lamps, hours</b>	
2.5.1. UV – quartz lamps	8000
2.5.2. UV – amalgam lamps	16000
<b>2.6. Minimal flow of water in the working system, l/hour</b>	<b>10</b>
<b>2.7. Power source (AC) nominal, 50Hz</b>	<b>220±10%</b>
<b>2.8. Maximum power consumption</b>	

2.8.1.	With UV quartz lamp, kWh, no more than	<b>0,02</b>
2.8.2.	With UV amalgam lamp, kWh, no more than	<b>0,04</b>
<b>2.9.</b>	<b>Minimal working pressure in the feeding water pipe <math>P_{min}</math> Atm</b>	<b>0,2</b>
<b>2.10.</b>	<b>Maximum working pressure in the feeding water pipe <math>P_{max}</math> Atm</b>	<b>4,0</b>
<b>2.11.</b>	<b>Pressure loss at nominal flow rate, meters of water column, less than</b>	<b>0,15</b>
<b>2.12.</b>	<b>Protection rating of the Control Panel</b>	<b>IP55</b>
<b>2.13.</b>	<b>Minimal time required to reach optimal working parameters, min</b>	<b>5</b>
<b>2.14.</b>	<b>Time required between switching off and switching on of the system, min, no less than</b>	<b>10</b>
<b>2.15.</b>	<b>Disinfection unit dimensions, mm</b>	<b>78x462x331</b>
<b>2.16.</b>	<b>Power supply UV lamps dimensions, mm</b>	<b>40x300x60</b>
<b>2.16.</b>	<b>Power supply UV lamps amalgam dimensions, mm (optional)</b>	<b>170x220x80</b>
<b>2.17.</b>	<b>Total weight of the system, kg</b>	<b>1,3</b>
<b>2.18.</b>	<b>Photochemical reactor volume, litres</b>	<b>1,6</b>
<b>2.19.</b>	<b>Feeding pipe diameter</b>	<b>G 1" outside</b>

**\*) In systems for drinking water disinfection**

**\*\*\*) In systems with amalgam lamps**

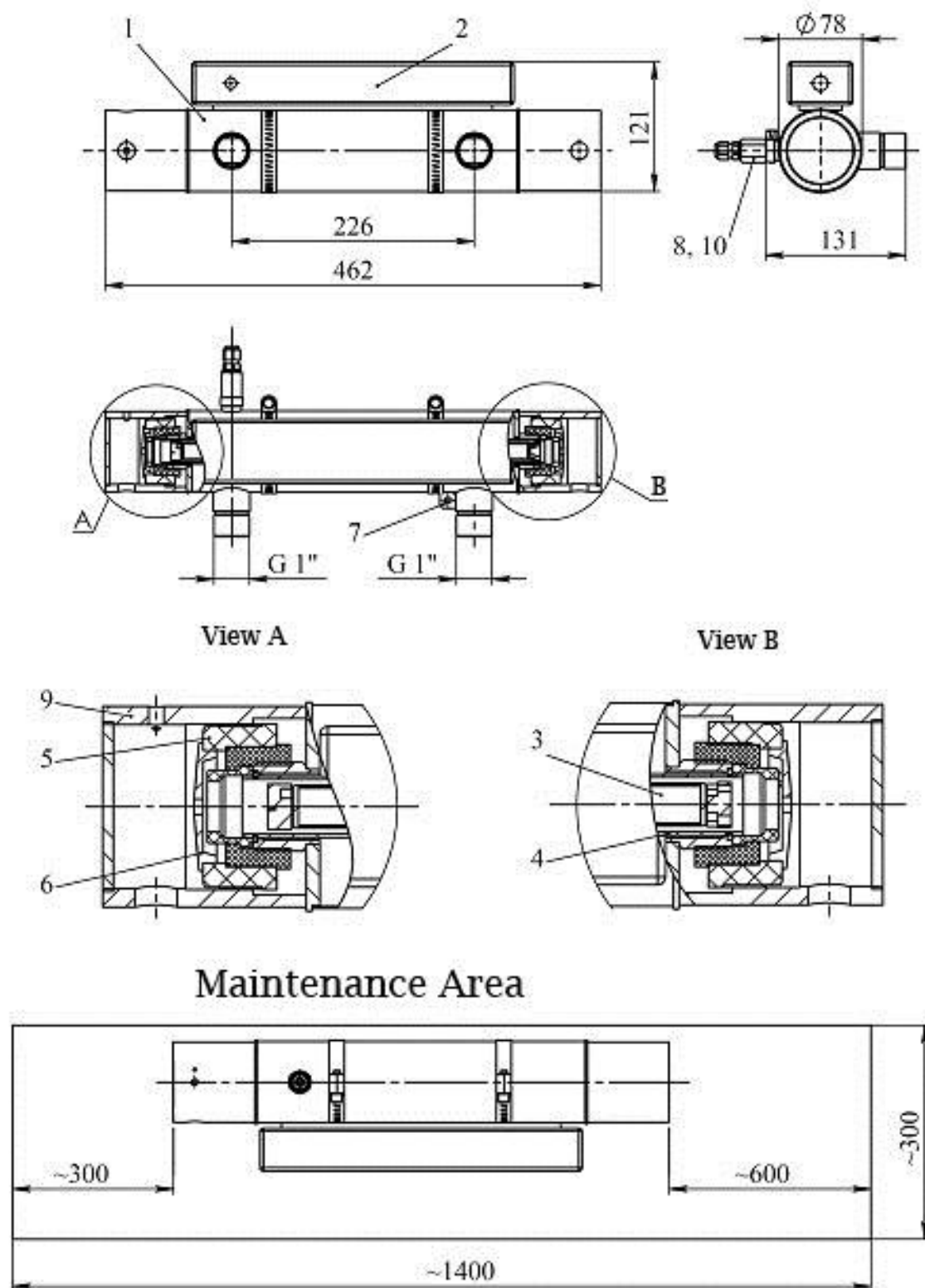


Figure 1. General view and set up plan for Lazur M-1 system

1. Photochemical Reactor
2. Power supply UV lamps
3. UV lamp
4. Protective quartz sleeve
5. Hermetic coupling
6. Protective cap
7. Earthing terminal
8. Drain pipe
9. Protective cup
10. UV monitor (optional)