



Tel/Fax: +7 (800) 100-1237  
 E-mail: [svarog@svarog-uv.ru](mailto:svarog@svarog-uv.ru)

## "LAZUR M-3". TECHNICAL DATA

<b>2.1. Quality indicators of the feed water:</b>	<b>Drinking / Waste water*</b>
2.1.1. Suspended solids, mg/l, no more than	(1)* / 10
2.1.2. UV Transmittance at 254 nm for 10-mm water column, %	(85)* / 60
2.1.3. Colour, degree, no more than	(20)* / 50
2.1.4. Turbidity, NTU, no more than	(1÷2)* / 3
2.1.5. Iron content, mg/l, no more than	0,3
2.1.6. Temperatures of water under treatment and of ambient air, °C	+4 ÷ +30
2.1.7. Total Bacteria Count in 1 litre, no more than	(1000)* / 5...10 <sup>6</sup>
2.1.8. Coliphages, no more than	(100)* / 5...10 <sup>4</sup>
<b>2.2. Quality indicators of the treated water:</b>	
2.2.1. Total Bacteria Count in 100 ml, no more than	(50)* / 100
2.2.2. Coliphages (MS2), in 100 ml, no more than	(absent)* / 100
<b>2.3. Minimal dose of UV irradiation, not less than, mJ/cm<sup>2</sup></b>	<b>40 (65)**</b>
<b>2.4. Nominal flowrate, m<sup>3</sup>/h</b>	<b>3</b>
<b>2.5. Minimal service life of UV lamps, hours</b>	
2.5.1. UV – quartz lamps	8000
2.5.2. UV – amalgam lamps	16000
<b>2.6. Minimal flow of water in the working system, l/hour</b>	<b>30</b>
<b>2.7. Power source (AC) nominal, 50Hz</b>	<b>220±10%</b>
<b>2.8. Maximum power consumption</b>	

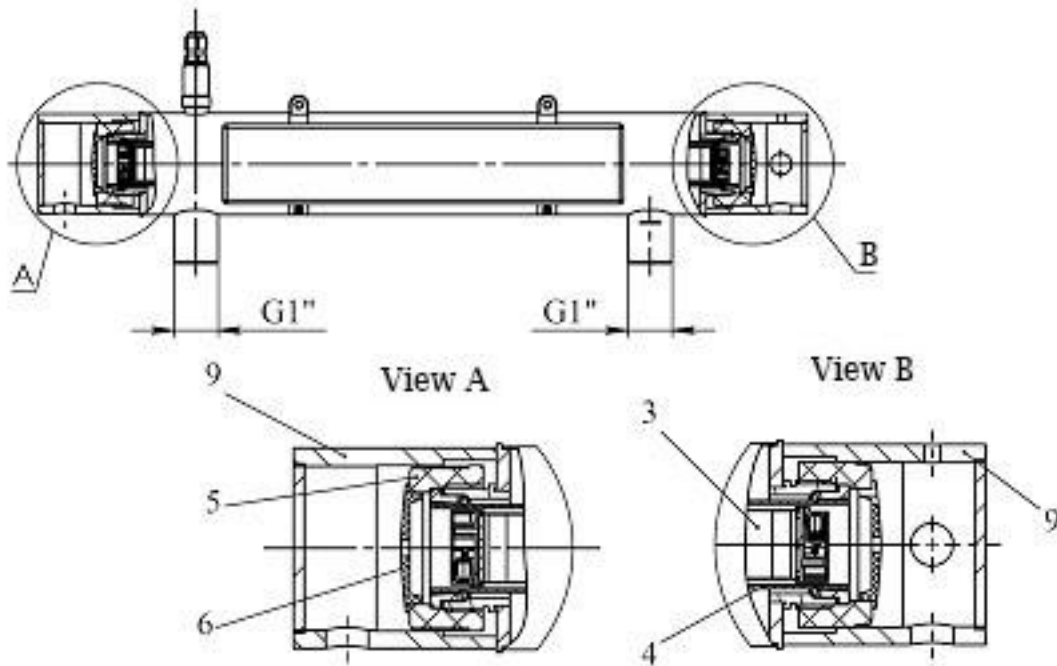
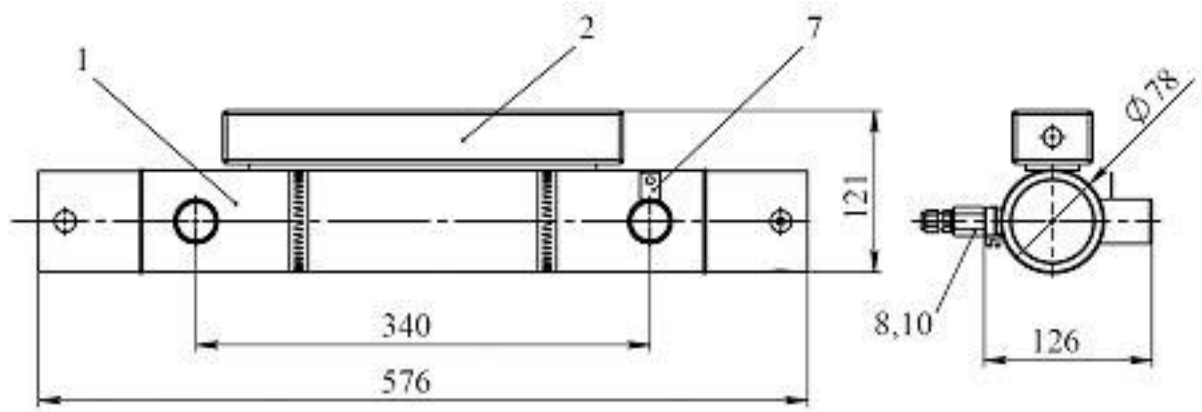
2.8.1.	With UV quartz lamp, kWh, no more than	0,125
2.8.2.	With UV amalgam lamp, kWh, no more than	0,18
2.9.	<b>Minimal working pressure in the feeding water pipe <math>P_{min}</math> Atm</b>	<b>0,2</b>
2.10.	<b>Maximum working pressure in the feeding water pipe <math>P_{max}</math> Atm</b>	<b>4,0</b>
2.11.	<b>Pressure loss at nominal flow rate, meters of water column, less than</b>	<b>0,15</b>
2.12.	<b>Protection rating of the Control Panel</b>	<b>IP55</b>
2.13.	<b>Minimal time required to reach optimal working parameters, min</b>	<b>5</b>
2.14.	<b>Time required between switching off and switching on of the system, min, no less than</b>	<b>10</b>
2.15.	<b>Disinfection unit dimensions, mm</b>	<b>78x576x126</b>
2.16.	<b>Power supply UV lamps dimensions, mm</b>	<b>40x300x60</b>
2.16.	<b>Power supply UV lamps amalgam dimensions, mm (optional)</b>	<b>170x220x80</b>
2.17.	<b>Total weight of the system, kg</b>	<b>2,7</b>
2.18.	<b>Photochemical reactor volume, litres</b>	<b>1,6</b>
2.19.	<b>Feeding pipe diameter</b>	<b>G 1" outside</b>

\*) In systems for drinking water disinfection

\*\*) In systems with amalgam lamps

### **Figure 1. General view and set up plan for Lazur M-3 system**

1. Photochemical Reactor; 2. Power supply UV lamps; 3. UV lamp;
4. Protective quartz sleeve; 5. Hermetic coupling; 6. Protective cap;
7. Earthing terminal; 8. Drain pipe; 9. Protective cup; 10. UV monitor (optional)



### Maintenance Area

